

**we-ef**

WE-EF LIGHTING USA LLC

410-D Keystone Drive  
Warrendale, PA 15086  
USA  
Tel +1 724 742 0030  
Fax +1 724 742 0035  
info.usa@we-ef.com  
www.we-ef.com

**we-ef**

WE-EF LIGHTING USA LLC

Installation and Maintenance  
Instructions for Projectors

FLC220-CC

FLC230-CC

FLC240-CC

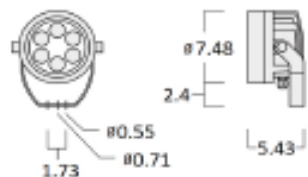
FLC260-CC



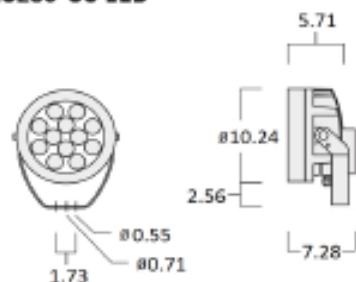
Technical specifications are subject to change  
© WE-EF 2013

**Installation and Maintenance  
Instructions for  
Projector series:**

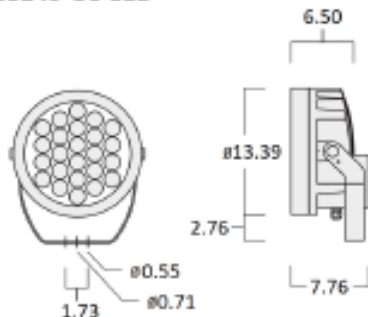
**FLC220-CC LED**



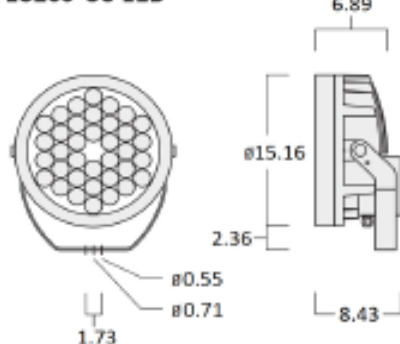
**FLC230-CC LED**



**FLC240-CC LED**



**FLC260-CC LED**



1. Prior to electrical connection, proceed with mechanical installation by firmly fixing yoke A to optional mounting accessory or directly to a suitable surface.

**Caution:** Make sure not to damage any electric cable, water pipe or other devices while drilling holes.

2. Adjust the fixture position by loosening the projector clamp locking screw H and then the 2 mounting knobs G on either side of the fixture.

3. Rotate the fixture to its approximate aiming position.

4. Tighten the mounting knobs G and locking clamp screw H (see torque chart).

5. Check that the electrical supply conforms with the ratings shown on the fixture labels and leads extending from the fixture. Make the electrical connection in the junction box.

**DMX Cable Color Code**

- White : DMX+ In
- Black : DMX- In
- Clear : DMX Shield
- Red : DMX+ Out
- Green : DMX- Out

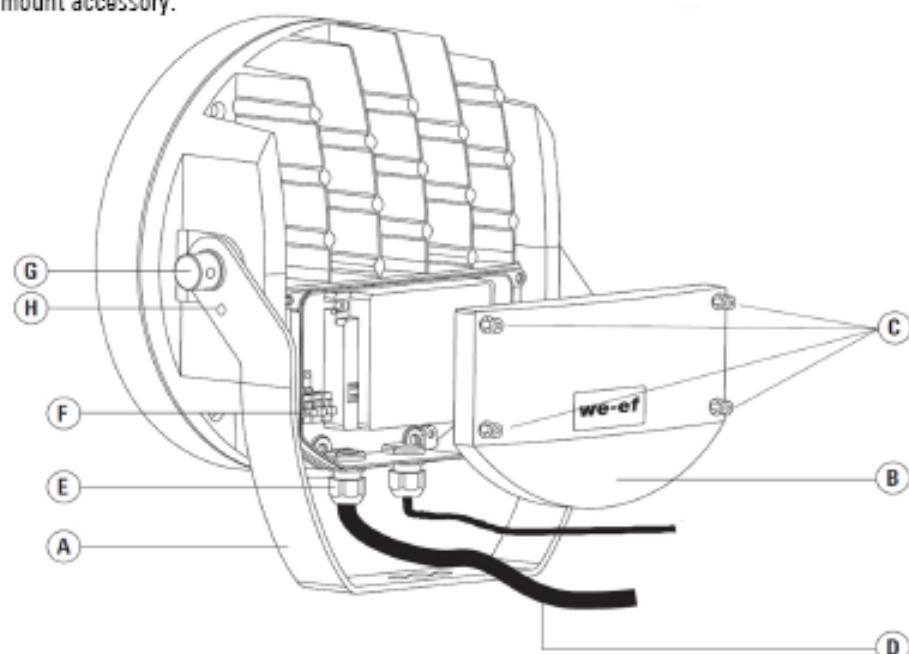
**Light source:**

- FLC220 LED: 6 LED 12W / 18W / 24W
- FLC230 LED: 12 LED 24W / 36W / 52W
- FLC240 LED: 24 LED 48W / 72W / 104W
- FLC260 LED: 36 LED 36W / 108W / 155W

This product should be installed in accordance with the applicable installation code by a person familiar with the construction and operation of the product and the hazards involved. Be sure the electrical supply is off prior to installation.

These fixtures are intended to be mounted within 2' of a wet location junction box with a fitting suitable for 16-3 SEOW (appropriate .405" OD) cable. For pole mount applications, refer to the installation instructions supplied with the pole mount accessory.

Screw	Torque
M4	max. 17.7 in-lb (2 Nm)
M5	max. 35.4 in-lb (4 Nm)
M6	max. 53.1 in-lb (6 Nm)
M8	max. 133 in-lb (15 Nm)
M16	max. 885 in-lb (100 Nm)



**Lamp Replacement and Maintenance**

Do not open luminaire while in operation or while mains supply is switched on!

Apart from cleaning the product's exterior surfaces, no special maintenance work is required. Do not use high-pressure cleaners.

Protect our environment: Discard used LEDs in compliance with the most recent environmental legislation.